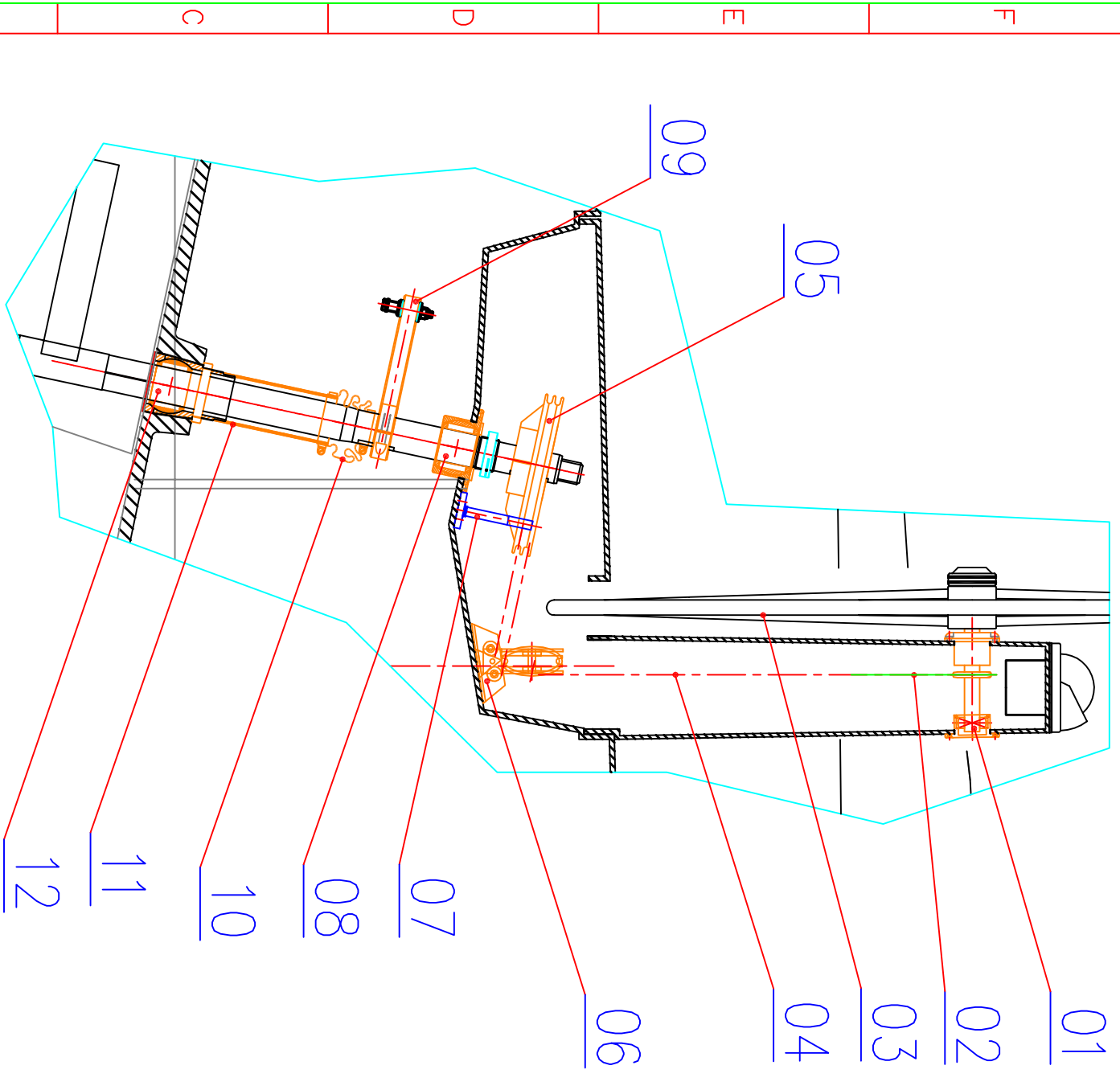
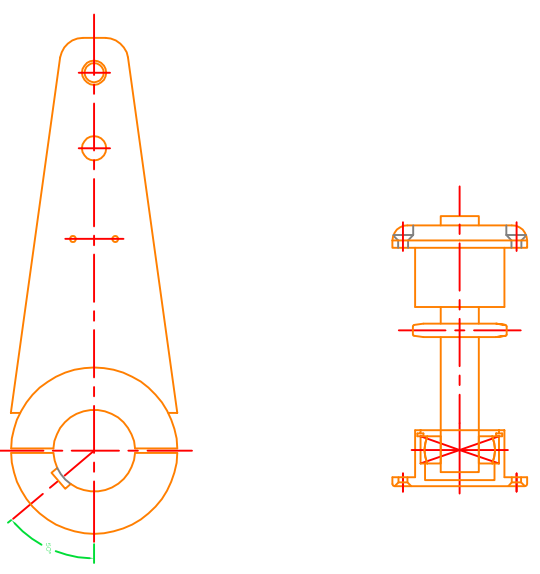
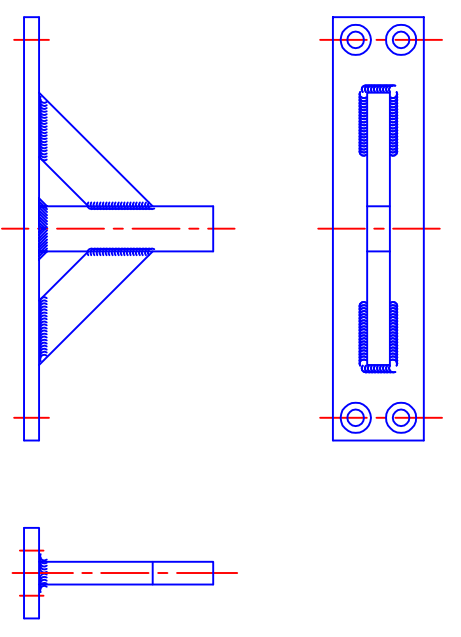
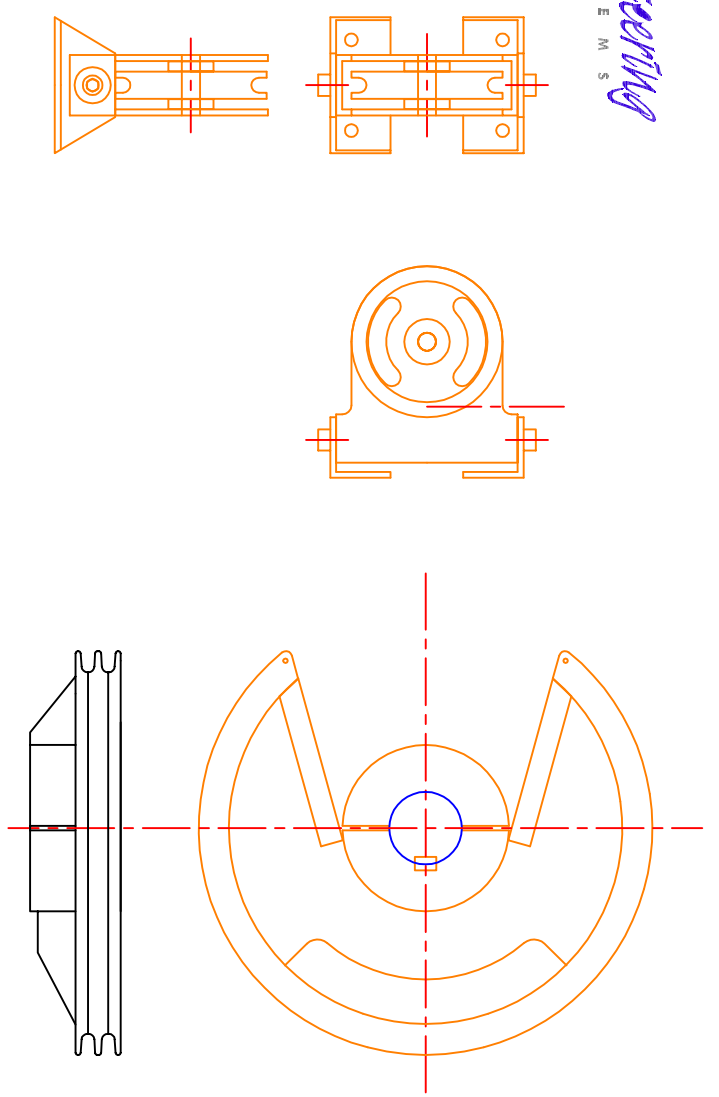


8 7 6 5 4 3 2 1



- 01 – SELF ALIGNING STEERER
- 02 – S/S CHAIN
- 03 – Ø 1400 mm STEERING WHEEL
- 04 – S/S WIRE
- 05 – 6" RADIAL QUADRANT
- 06 – SHEAVE
- 07 – RUDDER STOPPER
- 08 – UPPER SELF ALIGNING ROLLER BEARING
- 09 – AUTOPILOT LEVER
- 10 – NEOPRENE SEALING GAITER
- 11 – RUDDER STOCK TUBE
- 12 – LOWER SELF ALIGNING ROLLER BEARING



Datum	Ime
Date	Name
Izdelal	Made by
Prejledal	Checked
21-04-06SEVERIN VISNAR	

Risba je lasti podjetja. Neavtorizirano uporaba je prepovedana.  
Kopije te risbe niso kontrolirane.  
The content is our copyright property, unauthorized use is not permitted.  
Copies of this drawing are uncontrolled

Naslov risbe  
Title  
ELAN – E340  
RUDDER ASSEMBLY  
STEERING ARRANGEMENT



Merilo  
Scale  
1:10  
(1:5)

Taza  
Weight

Bežnja 1  
4275 Bežnja ne Gov.  
Slovenija

Risba št.:	Koda:	Verzija:	Stran	Format
Dwg. No.:	Code:	Version:	Sheet	Size
E340 – 16002 – 01.dwg	E340-16002	01	1 of 1	A3